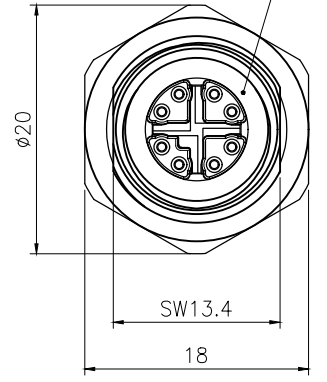
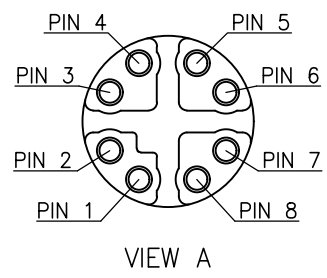
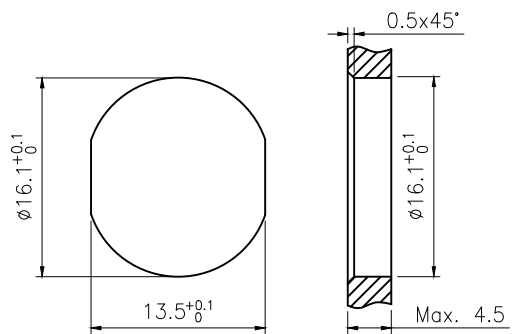
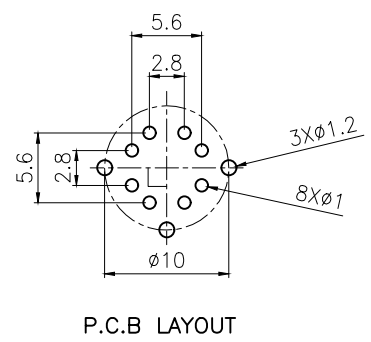
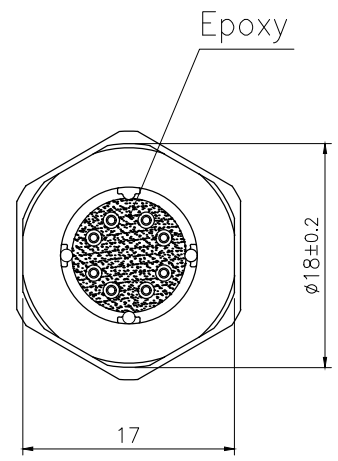
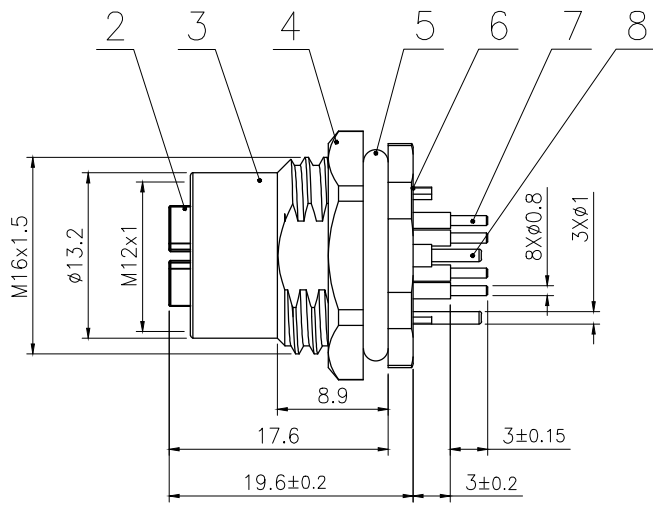


Rev.	Change Description	ECN #	Date



A



BOARD END HOLE OPENING SIZE

8	M12 X Type Zinc alloy rubber core metal parts	Zinc alloy	nickel plated	pc	1
7	M12 X Type female contact pin T-94-B	Copper	Gold plated	pc	8
6	M12 X-shaped seat circlip $\Phi 12.5 \times \Phi 10.9 \times 0.8$	Brass	Gold plated	pc	1
5	M12 Shell O ring $\phi 16 \times 2$	NBR	/	pc	1
4	Hexagon nut M16X1.5	Brass	nickel plated	pc	1
3	M12 Panel back mount female socket shell S-202	Brass	nickel plated	pc	1
2	M12 Female Insulator (8 core X Coding)	Nylon	/	pc	1
1	M12 Insulator O ring $\phi 9 \times \phi 6 \times 1.5$	NBR	/	pc	1
No.	Specification	Material	Treat	Unit	Q'ty

Technical specifications:		Materials:	
Coupling:	Threaded coupling	Shell material:	Brass nickel plated
Termination:	Dip solder	Contact material:	Phosphor bronze Gold plated
Coding:	X	Insert material:	PA66+GF UL94 black
Pollution degree:	3	Shielding material:	Zinc alloy
Temperature range:	-40°C ~ +80°C	Sealing:	NBR
Degree of protection:	IP67		
Mating cycles:	≥500		
Rated voltage:	60V AC/DC		
Rated current:	0.5A		
Contact resistance:	≤5 mΩ		
Insulation resistance:	≥100 MΩ		
All materials are RoHS compliant			

GENERAL TOLERANCE (UNLESS SPECIFIED)	DWN	DATE	
	W.M	2023.6.19	
≤10 ±0.1	CHK	DATE	TITLE M12 X Type Female Back Mount Socket (PCB)
<10~≤20 ±0.2			
<20~≤50 ±0.5	APVD	DATE	PART NO
Angle ±1°			
 THIRD ANGLE	UNIT	REV	DRAWING NO M12-F1-S8X-1
	MM	A	
	SIZE	SHEET	
	A4	1 OF 1	